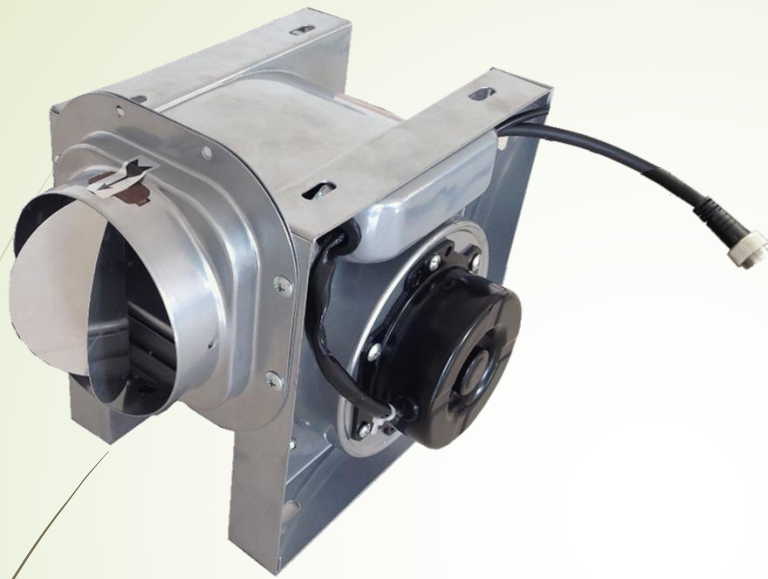


Solar Powered Split Type Centrifugal Air Blower



1

- * Strengthen air circulation
- * Remove heat, moisture, dust & Deduct harmful mildews
- * Solar powered, environmental friendly
- * Once Pay, Benefit Long
- * Can add AC/DC Power Adapter to fulfill solar products working 24 hours nonstop; or add Battery to support the solar fans running day & night nonstop

FOR A BETTER SPACE

Serves Well Everywhere and Suits All Kinds of Building Installation!

Enjoy the Gracious Solar Energy to Let Your Space Breath Freely at Any Time!



Multi-Purpose Applications

2

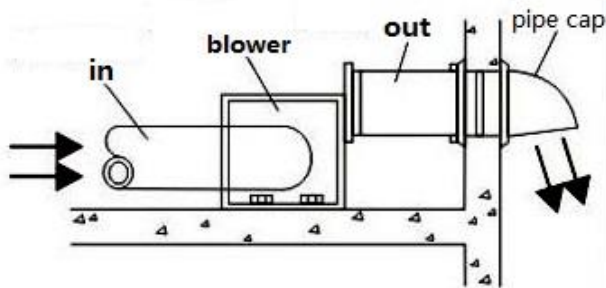
* Residential * Industrial * Commercial * Agricultural ... * Anywhere



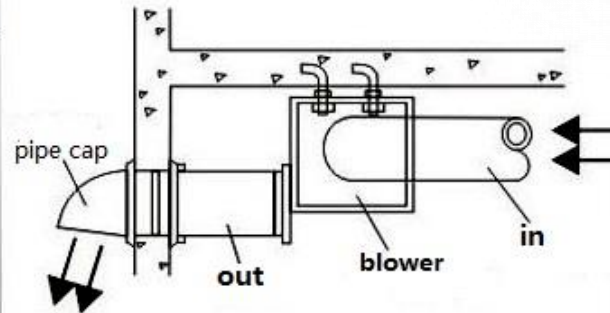
- * Connect with Solar Panel for energy supply, so 0 electricity cost
- * Can add Pipeline for long distance air exhaust & air supply
- * Can add vent caps to prevent outside rains
- * Can add mesh louvers into ceiling as better air-inlets
- * Can use tee joints to form a complex ventilation system



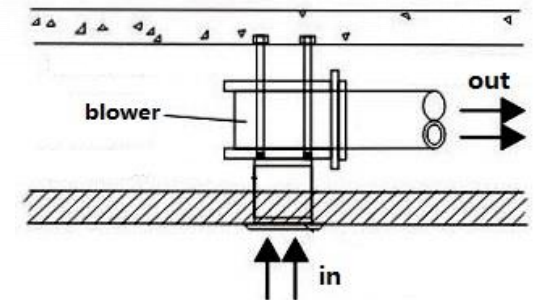
seat-type installation



ceiling-type installation



ceiling-type installation



Some Product Details:

3

Centrifugal fan blades,
metal quality



20W solar panel (410*365*25mm)
angle adjustable + mounting plate

6m cable VDE, UL certified, anti-UV

centrifugal pipeline fan Φ 100mm air outlet
steel fan body, brushless dc motor

#SN2015035 solar centrifugal pipeline fan



Waterproof connectors, easy joint

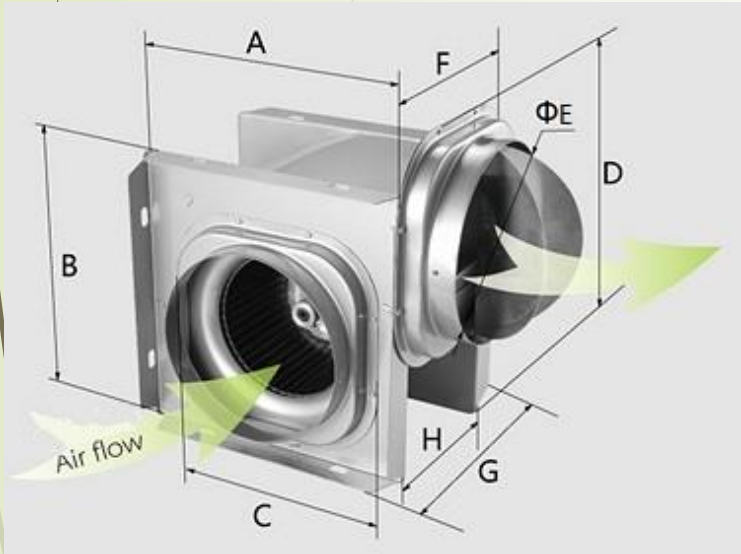
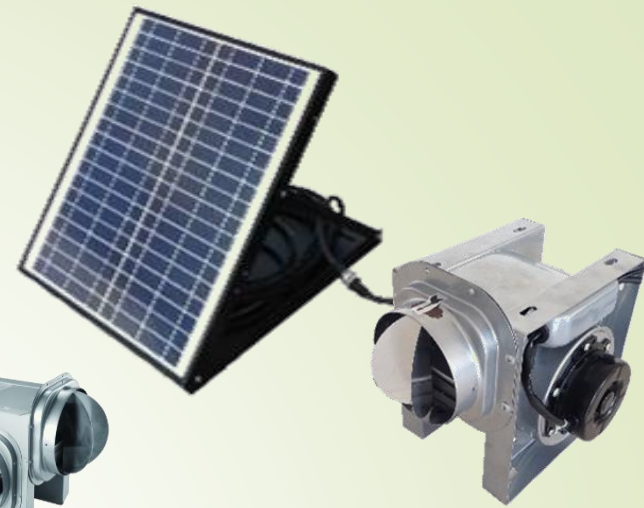


Air Blower Structure:

4

Small Volume of Scientific Structure

90° Right Angle Air Blowing, Fulfills Anywhere



3 sizes option



Option #	A (MM)	B (MM)	C (MM)	D (MM)	E (MM)	F (MM)	G (MM)	H (MM)
4"	216	180	130	205	100	175	142	104
6"	298	250	160	278	150	215	179	142
8"	350	300	235	360	200	285	235	190

multiple mounting holes
(for flexible installation)



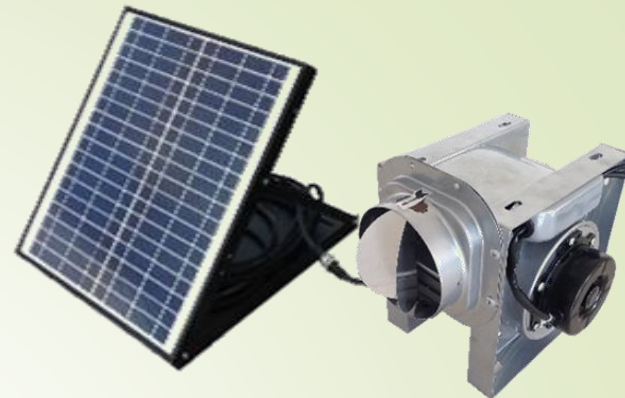
detachable check valve
(you may take it off when adding pipelines for long distance air blowing)



Solar Panel Structure:

5

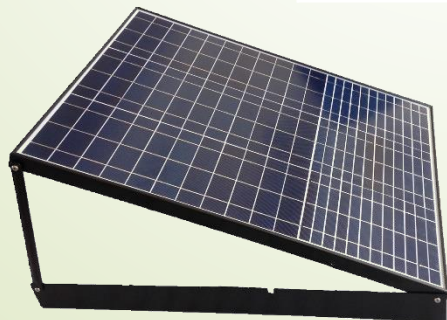
Tilting & Angle Adjustable Design
can Carry Battery to Store Energy for Night Use



solar panel angle
0° 15° 30° 45° adjustable

Option #	L (MM)	W (MM)	H (MM)	Battery	Function
20 W, for 4''	410	365	25	/	for air blower working in sunny day periods
50 W (20 w + 30 w), for 4''	655	495	25	9.6Ah	20W for air blower works in sunny day hours, 30W to charge battery & battery backups fan nonstop in sunless periods
30 W, for 6''	495	415	25	/	for air blower working in sunny day periods
60 W (30 w + 30 w), for 6''	782	495	30	9.6Ah	30W for air blower works in sunny day hours, another 30W to charge battery & battery backups fan nonstop in sunless periods

Lithium Storage Battery, attached at the back side of solar panel



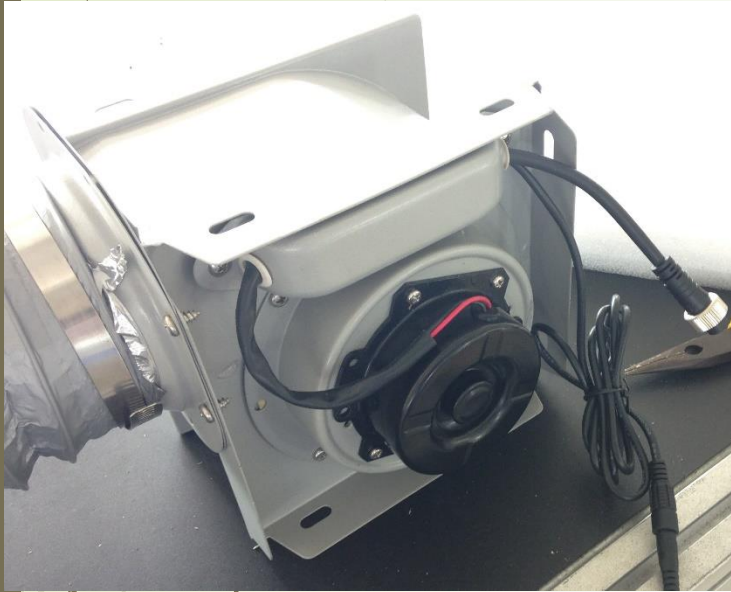
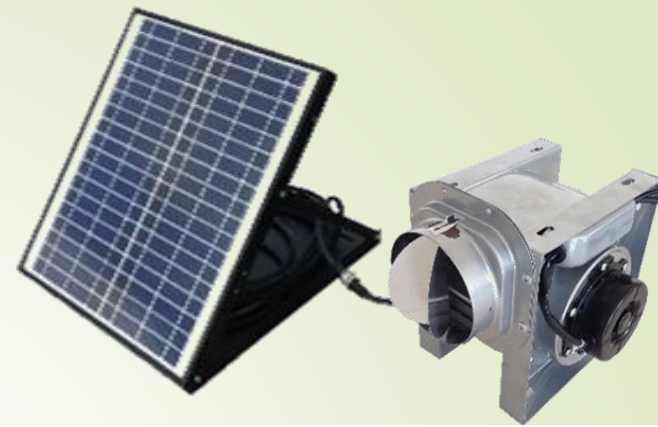
To take place of Battery, you may use AC/DC Power Adapter to serve as energy backup for night use

Motor Specifications:

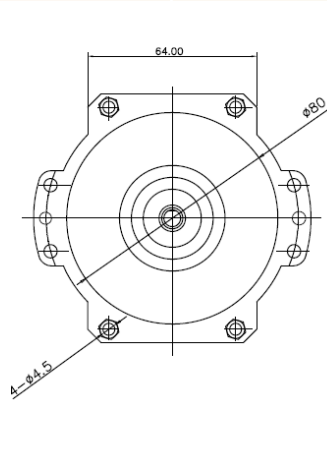
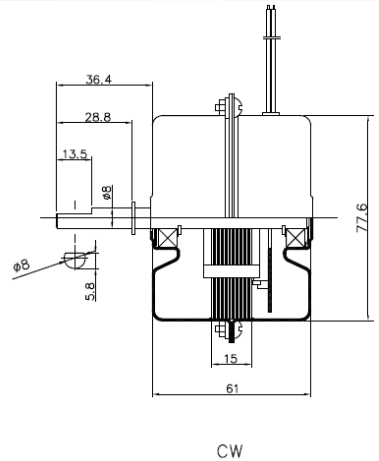
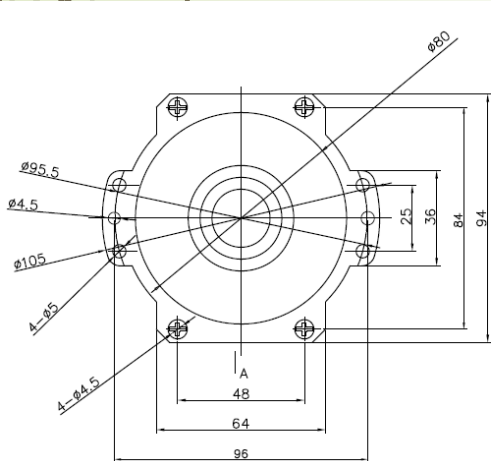
6

Brushless DC Motor

High Energy Efficiency, with Long Time Lifespan



Description	Specification
Voltage	18V DC (variable 6-21V per solar panel input)
Power	no higher than 40W
Diameter	78mm
Motor Speed	30-1750RPM per solar panel input
Waterproof Treatment	IP63
Sound	super quiet (below 45dB)



Model Selections:

7

Green Solar Energy Powered, Cost-Effective, Environmental-Friendly...

Model #	SN2015035	SN2016014	SN2015036	SN2016015	SN2015037	SN2016016
Solar Panel	20W / 18V	30W / 18V	20W / 18V	30W / 18V	50 watt (20W/18V + 30W/16V)	60 watt (30W/18V + 30W/16V)
Air Blower Size	4" (dia.100mm wind gap)	6" (dia.150mm wind gap)	4" (dia.100mm wind gap)	6" (dia.150mm wind gap)	4" (dia.100mm wind gap)	6" (dia.150mm wind gap)
Air Flow	150 CFM	300 CFM	150 CFM	300 CFM	150 CFM	300 CFM
Work Time	sunny hours	sunny hours	Day & night 24 hours	Day & night 24 hours	Day & night 24 hours	Day & night 24 hours
Power Source	solar panel	solar panel	solar panel + grid electricity	solar panel + grid electricity	solar panel + 9.6Ah lithium battery	solar panel + 9.6Ah lithium battery
Backup Energy	/	/	1A * 18V AC/DC Power Adapter	1A * 18V AC/DC Power Adapter	0.5A * 14.6V Solar Battery System	0.5A * 14.6V Solar Battery System

No matter what size of the air blower be, we make it with 3 working modes: **only solar / solar combines with grid electricity for day & night use / only solar but energy storable rechargeable for longer time usage!**

The above offers do not contain 8" option, please tell us if you need that size.

Customization Services:



8

Like other solar fan categories, we also provide optional accessories for you to extend functions of these air blowers:



Snap-action Thermostat, a kind of mechanical switch to control the ON / OFF of product. You may choose either 25°C or 28°C thermostat from us, and their performance characteristics are as below:

On: 25°C +/-3°C; Off: 18°C +/-5°C (25°C thermostat)

On: 28°C +/-3°C; Off: 21°C +/-5°C (28°C thermostat)

(there is a 7°C temperature difference between on & off)



Power Cord Switch, a kind of manual switch to control the ON / OFF of product. You may turn-on or turn-off the air blower flexibly at any time.
(the cable it carries is 2m long)



These pipeline kits are supposed easy to find from local market, so they are not among our regular accessory list, but if you need them also from us, please let us know.

Product Service Life & Warranty:

9

Normally no quality problem unless the fan motor reaches its lifespan.

Product Part	Service Life	Warranty
Metal Casing	15 Years	10 Years
Solar Panel	25 Years	15 Years
Brushless DC Motor	more than 7 Years	5 Years
Lithium Battery	5 Years	2 Years
AC/DC Power Adapter	5 Years	2 Years

The hereby lifespan & warranty terms are based on the product be used in regular residential housings, but not in those too humid or extreme condition places with acid and alkali corrosive gas / liquids.



Thanks for being interested in our Split Type Solar Centrifugal Air Blowers!

Please feel free to contact us for any further information:

SINOLTECH ENERGY LIMITED
SHANDONG SINOLTECH INTERNATIONAL CO., LTD

Email:

Susan@sinoltech.com
or Sinoltech@hotmail.com

Website:

<http://www.sinoltech.com>
or <http://sinoltech.en.made-in-china.com>



A: No. 555 Jingshi Road, Licheng District, Jinan 250102, CHINA P: +86 153 1880 7707 Skype: SINOLTECH