

USER MANUAL

- LED Street Light & LED Flood Light



Contents

Important Safety Information	3
Technical Specification	4
Street Light Installation Setup	5
Installation Instruction & Working Mode	6
Operation Method	7
Solar Module Specification	8
Pole & LED Light Dimension	9
Brackets Dimension	10
Solar Panel Maintenance Instructions (A)	11
Solar Panel Maintenance Instructions (B)	12
Maintenance and Remote Controller Manual	13



Important Safety Information

Save These Instructions

This manual contains important safety, installation and operating instructions.

The following symbols are used in this manual to indicate potentially dangerous conditions or important safety instructions.



WARNING

:

Indicates a potentially dangerous condition. Use extreme caution when performing this task.



CAUTION

:

Indicates a critical procedure for safe and proper operation of the controller.



NOTE

:

Indicates a procedure or function that is important for safe and proper operation of the controller.

General Safety Information

- Read all of the instructions and cautions in the manual before installation.
- There are no user serviceable parts inside the light.
- Do not disassemble or attempt to repair it.
- Disconnect the solar module to unmount the light if required.
- Connector connections must remain tight to avoid excessive heating from a loose connection.

Packaging Details (Only when provided as full set)

- | | | |
|---------------------------------|---|-----------------------------------|
| 1. LED Light | : | 1 piece in 1 Box |
| 2. Solar Panel | : | 1 piece in 1 Box |
| 3. Light Arm | : | 6 set with screws in 1 box |
| 4. Adapter Bracket | : | 6 set with screws in 1 box |
| 5. Light Pole with Anchor Bolts | : | poles with anchor bolts in 1 Pack |

Smart Solar 4G LED Street Light / Flood Light

Technical Specification - Solar LED Street / Flood Light

1	Light Design	Solar 4G LED Street Light is the 4th generation of all in one series with increased efficiency and advanced technology. With individual solar panel, it allows customer to increase or decrease panel power based on different project. The light comes with an inbuilt lithium battery bank and MPPT charge controller. The light has better output with more longer battery backup than the normal all in one solar lights.
2	Material	Die cast aluminum body with powder coating
3	Rated Power	10 Watts ~ 60 Watts
4	CRI	>82
5	LED Source	Philips 3030, 1watt * 72 nos / SMD2835 224 nos 140 Lumen/watt
6	Light Output	140*70Degree (With 3030 LED) / 120 degree (2835 LED)
7	Optics	T5L1 Lens, 140*70 degree beam angle
8	Operation- Working Mode	12 hours 100% brightness, dusk to dawn working automatically Lights ON at PV Voltage <5 volts at dusk and OFF at PV voltage \geq 6Volts
9	Luminous Lux	140 Lumen/watt
10	CCT	2700K~6500K optional
11	Operational Conditions (IP Certificate)	IP 67, Wind resistance :160 Km/H·
12	Battery Type	Lithium (NiCoMn)O2 battery or / LifePO4 battery
13	Solar Panel	40W~180W optional -- 18V MONO Crystalline cell
14	Weight	7.5~10.50KG (depends on model of light luminaire)
15	Volume of Light box	680*200*355mm
16	Life Span	Minimum 50000 hours for LEDchip, 1000 cycles for the Li(NiCoMn) O2 battery, 2000Cycles for LifePO4 battery.
17	Warranty	2years replacement warranty
18	Certifications	RoHS, CE, FCC, IC, LM79, LM82, TUV (Solar panel)
19	Working Temperature	-10°C to 55°C
20	Pole System	Material: Hot-dip galvanized & powder coated
21	Accessories	Solar panel, bracket for mounting structure with screws, light pole with light arm and anchor bolts, (upon customer's requirements)

Installation Instruction of solar street Light ---Set Up

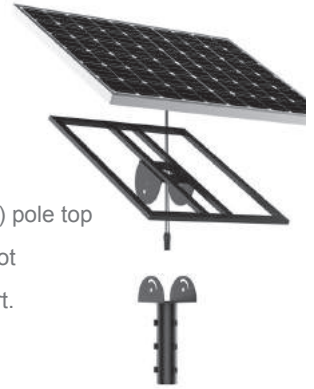


Smart Solar 4G LED Street Light/ Flood Light

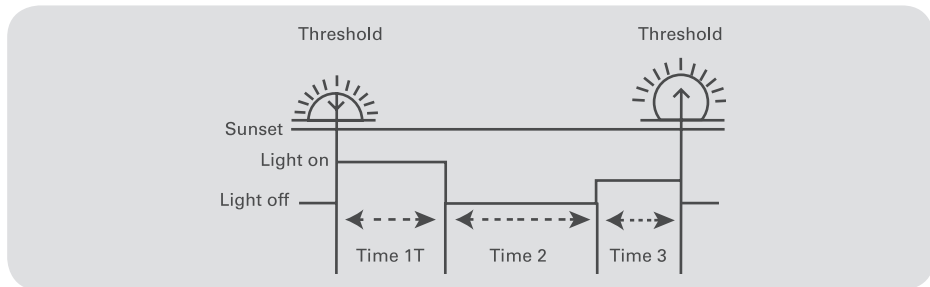
Installation Instruction of Street Light

Installation Steps

1. Mounting- (1) Solar Panel to -(2) bracket with screws tightly
2. Let -(7) MC4 cables go through- (10) plate of -(4) spigot
3. Fix -(4) spigot to -(2) bracket of -(1) solar panel with screws
4. Insert- (7) MC4 cables of- (1) solar panel into the pole from - (5) pole top
5. Put -(4) spigot on -(5) pole top and tight -(3) screws of -(4) spigot
6. Pull out -(7) MC4 cable of -(1) solar panel from -(6) pole support.
7. Connect -(7) MC4 plug of -(1) solar panel and light.properly
8. Insert the -(7) MC4 plugs into -(6) pole support.
9. Fix -(9) light head on -(6) pole support and tight it with screws ws.
10. Check every parts are connected and fixed properly.



Working Mode & ON and OFF Time



The light turned on at dusk with a pre-programmed setting function and work continues till dawn. The ON and OFF functions are controlled automatically by the built in charge controller with light sensitive timings. At sunset NTTV (Night Time Threshold Voltage) goes less than 7 Volts from the solar panel, the lights will turn ON. In the morning the DTTV (Day Time Threshold Voltage) from the panel reaches 7 Volts the lights will turn OFF.

The system also comes with a manual switch for manual operation for testing purposes.

Operation Method



Solar LED Street Light



Solar LED Flood Light



Power Button

1. Once the installation is complete, plug the MC4 connectors in the Light to the solar panel.
2. Press the power button on the light fixture to the ON position to make the light turn on automatically after sunset (Lighting mode is set to dusk to dawn mode as default by factory before delivery).
3. The smart solar led light is now ready for use.
4. You can also use the remote control to change the lighting modes or brightness incase required. The lighting time can be selected easily by the remote controller.
5. Press the power button to the OFF position to turn OFF the light, the light will stop working, for the maintenance and transport.
6. Do not remove or dismantle the MC4 Connectors or try to plug in the light as the polarity can go wrong IN CASE OF DAMAGE OF LIGHT.
7. Do not open the light fixture by unauthorized persons, can affect the IP rating of the fixture and void the warranty.



- ☒ .. There is a ONE minute delay for ON / OFF functions.
- ☒ .. The light will trun off after one minute once the panel is disconnected or at sunset.
- ☒ .. The light will trun on only after one minute once the power on button is pressed.

Any further questions,
please contact us

Technical Specification of 18V Mono - Crystalline Solar Module

40W 60W 80W 100W 110W ____W

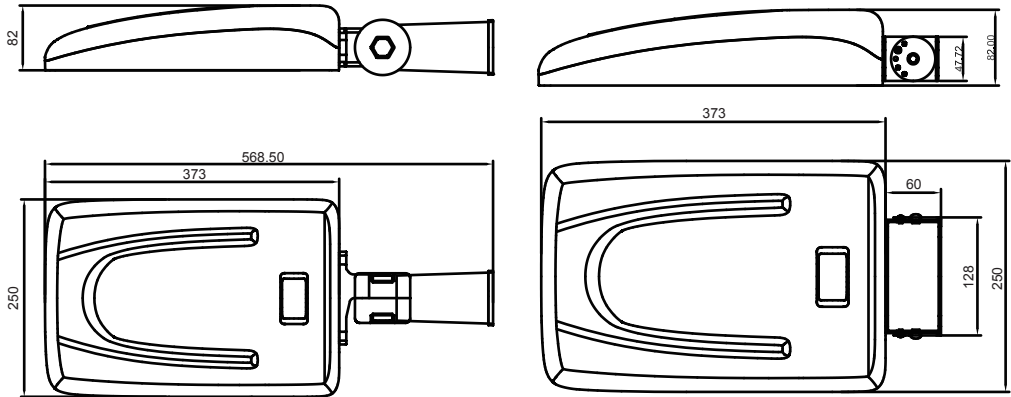


Not provided
by manufacturer

Pole Light Dimension



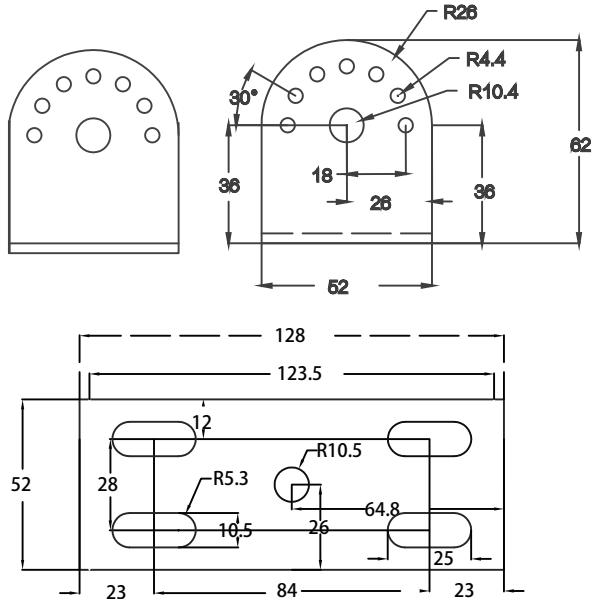
Light Fixture Dimension



Bracket Dimension of Solar Panel (if provided)

Not provided
by manufacturer

Bracket Dimension of Solar LED Flood Light



Solar Panel Maintenance Instructions (Part A)

Safety First – CAUTION NOT TO SCRATCH THE PANEL SURFACE AND ALSO NOT TO DAMAGE THE CABLE AND THE CONNECTOR

Materials Required

A good quality soft brush
Squeegee with a plastic blade
Cleaning Agent – Liquid Soap



Use a hose with a suitable nozzle to allow the stream of water to reach the panels if a water source is possible to get at the location or use the normal pressure sprayer



Cleaning Process

Running Water or Wet the Surface

Remove the dust with the soft brush. Once the dust is removed, you can apply water on the panel surface. If you have a pressure sprayer, it will be an easy option or a running water source to wash the panel surface.



Apply Soap water ONLY if Caked Stains

Apply Soap water gently if there is caked stains or bird droppings on the panel surface. IF THERE IS NO Caked stains, just running water is enough and go to the next step.
Wipe of the soap and excess water



Wipe of the soap and excess water

Wipe of the soap and excess water using a rubber/ plastic soft Squeegee or wiper with a plastic blade and leave it for dry.

Solar Panel Maintenance Instructions (Part B)

Tips for cleaning solar panel glass

- ☒ For safety reasons, it's also wise to clean your panels from the ground if possible. A good quality soft brush and a squeegee with a plastic blade on one side and a cloth covered sponge on the other coupled with a long extension can make for the perfect tools allowing you to stay on the ground.

Options



A long extension pipe is a perfect tool allowing you to stay on the ground.



Use a hose with a suitable nozzle to allow the stream of water to reach the panels.

- ☒ Clean your panels on an overcast day, early in the morning or in the evening. If the sun is beating down on the panels, any water used can quickly evaporate and dirt will become smeared.
- ☒ Early morning can be a particularly good time for cleaning as dew that has settled on the panels overnight will likely have softened grime; meaning you'll need to use less water and less energy to clean your solar panels.
- ☒ If the panels are dry, before tackling the modules with water, brush off any loose materials ☒rst – this will make cleaning easier and faster.

DONT'S



- ☒ Don't use metal objects or harsh abrasive products for removing caked on materials – scratching the glass a solar panel can affect its performance as scratches will cast shadows
- ☒ Avoid using detergents if possible as these may streak the glass of the panel. Use of abrasive powders also risks scratching the panels.
- ☒ Given the nature of good quality solar panel glass, clean water and a little scrubbing with a coarse cloth covered sponge or soft brush should remove the most stubborn grime.

Cleaning Interval



The cleaning interval is recommended once in two months at normal weather conditions.

Maintenance

Symptom	Problem Cause	Solutions
Lamp doesn't work	Light source is damaged	Replace it with the same light source
	The battery has run down	Charging the battery
	Light doesn't work in day time	Changing the light setting with remote control
	Positive & negative of solar panel are connected conversely.	Connect the positive & negative of solar panel to a correct position.
	Positive & negative of the solar panel are connected conversely.	Connect the positive & negative of solar panel to a correct position.

Remote Controller Manual (If provided)

USER MANUAL



CONTACT US



Smart Solar 4G
-Solar LED Street Light
-Solar LED Flood Light