

Rooftop Installation Solutions for CIGS Flexible PV Modules



CONTENTS

I.Asphalt shingle roof I. 沥青瓦屋面

II.Terracotta roof II. 陶瓦屋面

III.Metal roof III. 金属屋面

CONTENTS

I.Asphalt shingle roof I. 沥青瓦屋面

II.Terracotta roof II. 陶瓦屋面

III.Metal roof III. 金属屋面

I.Asphalt shingle roof I. 沥青瓦屋面

■Features for installation on asphalt shingle roof

■沥青瓦屋面组件安装特点

- Replace asphalt shingles
- Seamless connection
- Not destroy waterproof structure

可代替沥青瓦
无缝对接
不破坏防水构造

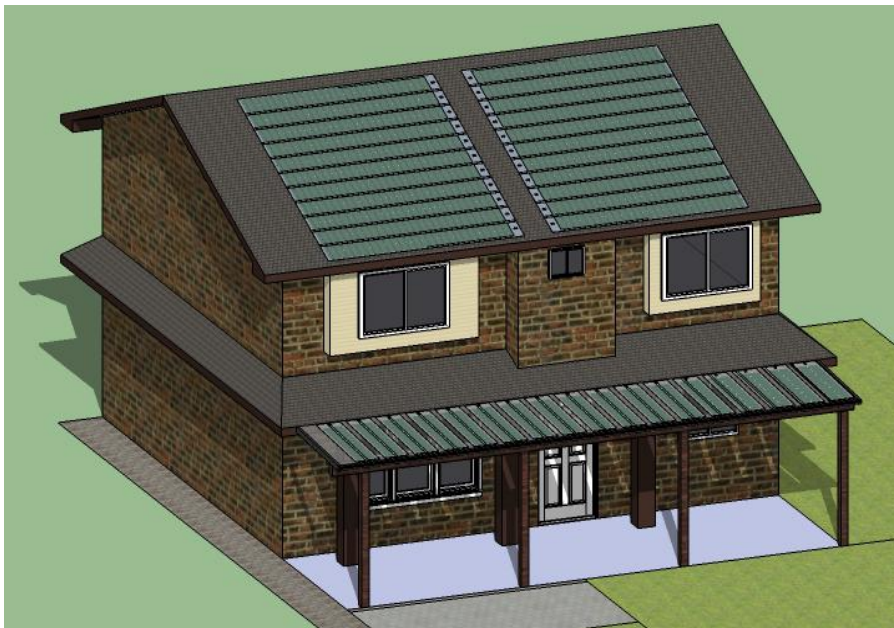


I.Asphalt shingle roof I. 沥青瓦屋面

■Features for installation on asphalt shingle roof

■沥青瓦屋面组件安装特点

- Flexible combination 组合灵活
- Better adaptation with roof 与屋面适配性更好



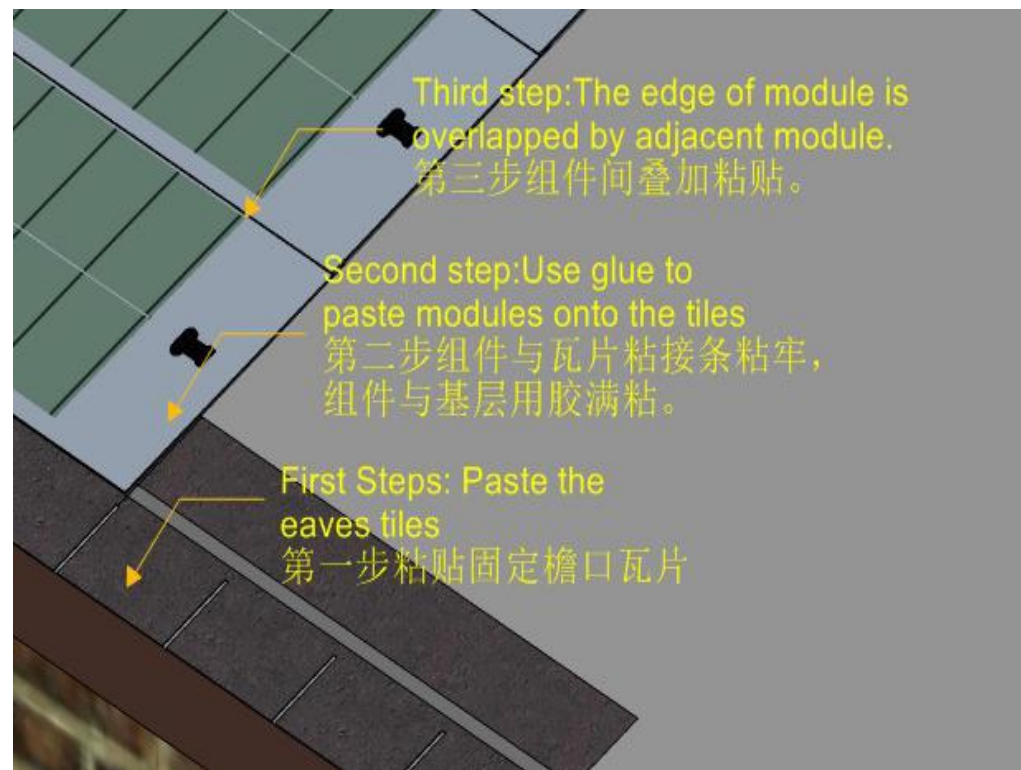
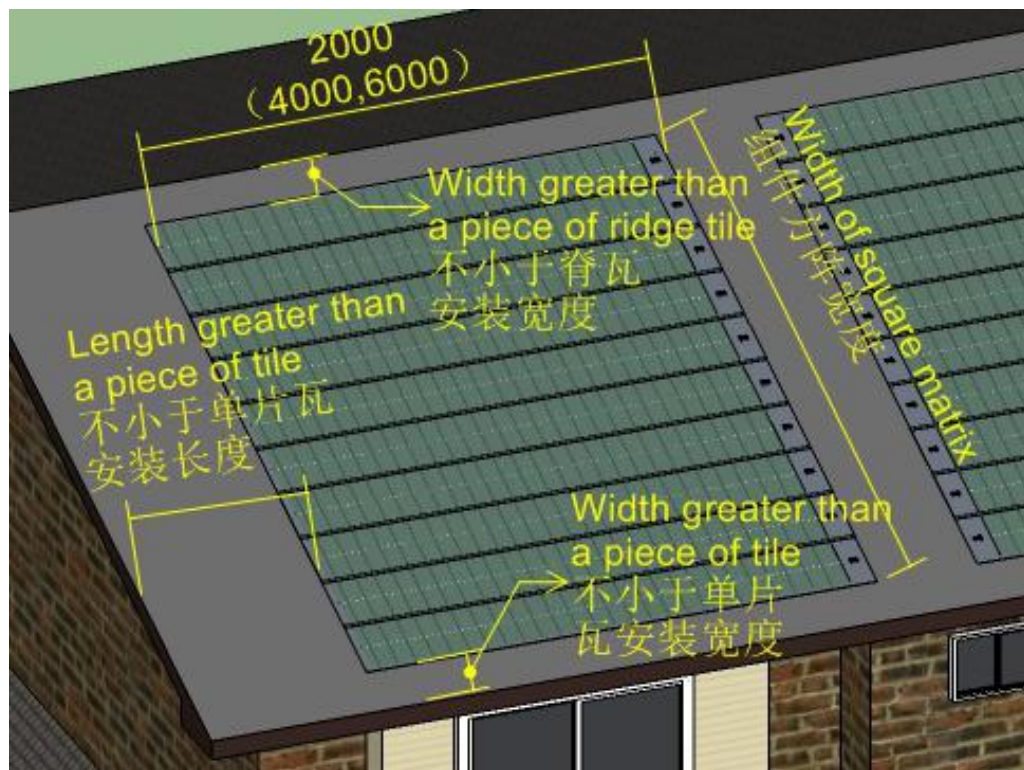
I.Asphalt shingle roof I. 沥青瓦屋面

■Installation Method on asphalt shingle roof

■沥青瓦屋面组件安装方法

- 安装区域尺寸要求
- Dimension requirement

- 檐口处安装处理
- Installation method in the eaves



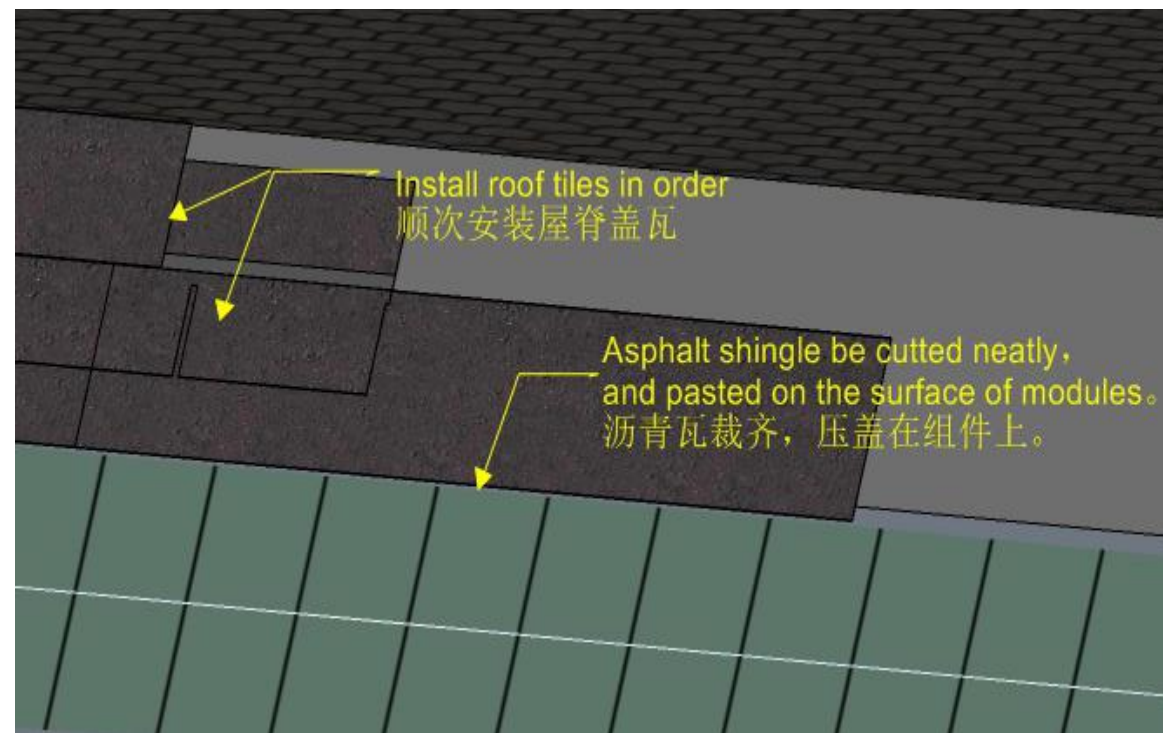
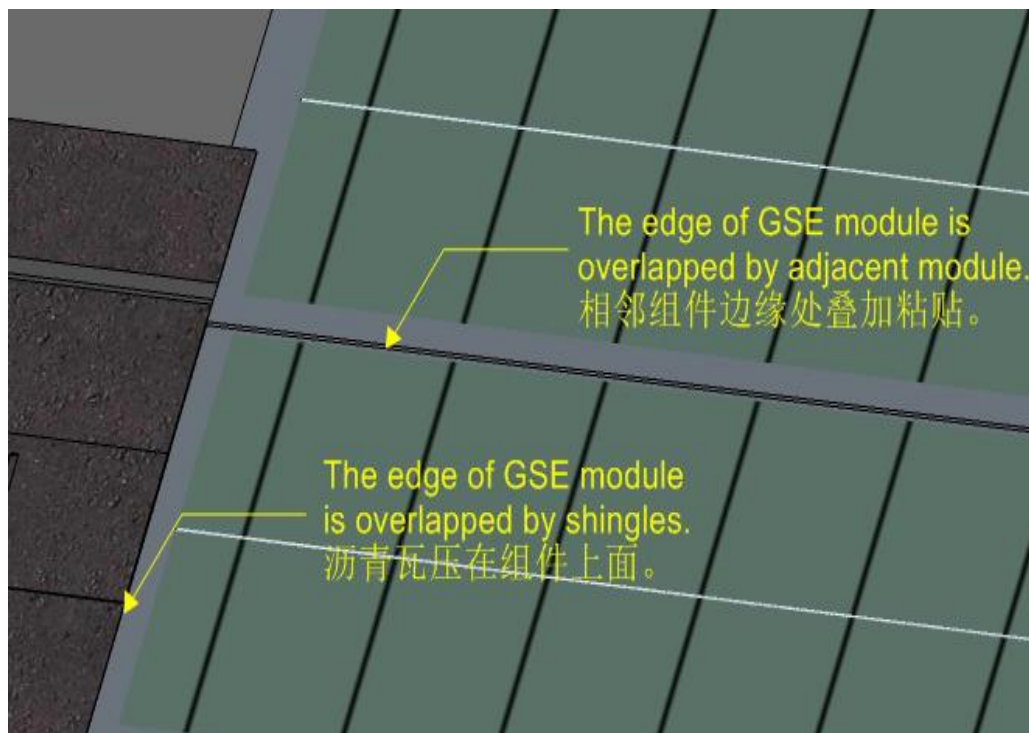
I. Asphalt shingle roof I. 沥青瓦屋面

■ Installation Method on asphalt shingle roof

■ 沥青瓦屋面组件安装方法

- Module edge overlapping
- 组件侧边搭接处理

- Installation in the ridge
- 屋脊处安装

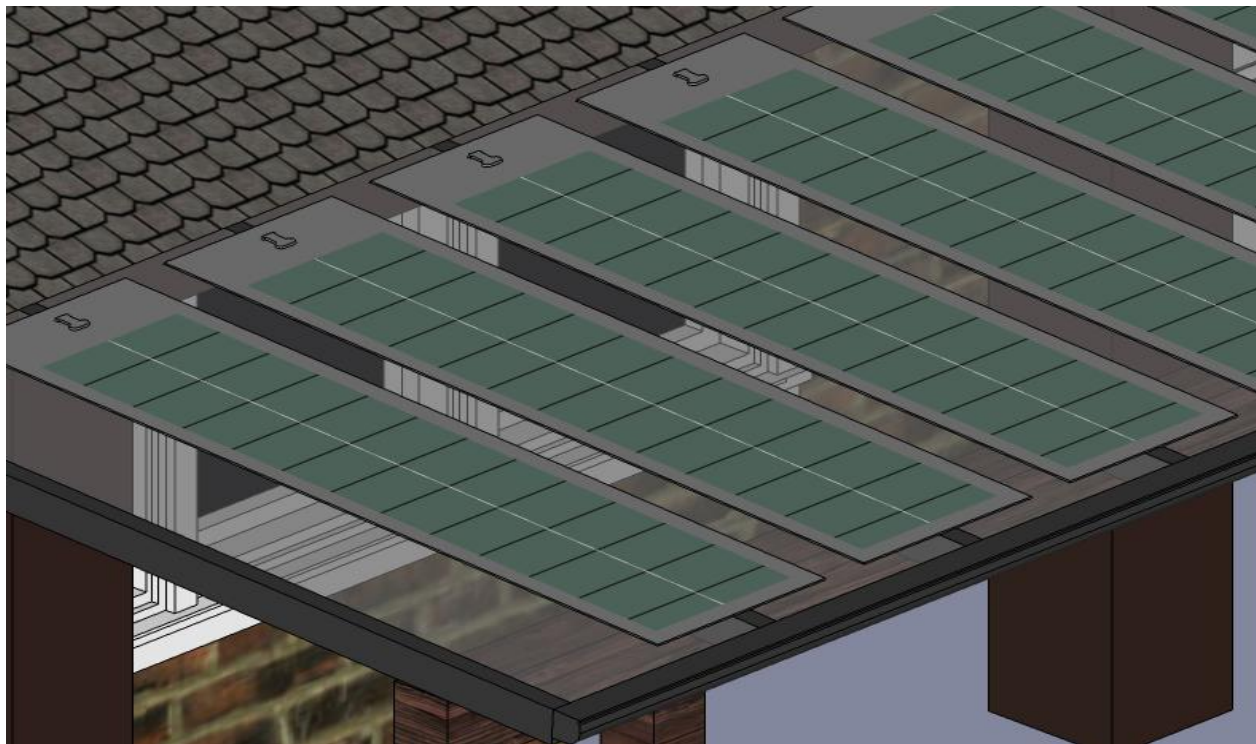


I.Asphalt shingle roof I. 沥青瓦屋面

■Installation Method on asphalt shingle roof

■沥青瓦屋面组件安装方法

- Adhered directly on flat surfaces, such as glass canopy or plane skylight .
- 采用玻璃等平面材料的采光顶、雨棚等建筑部位可以直接粘贴。



CONTENTS

I.Asphalt shingle roof I. 沥青瓦屋面

II.Terracotta roof II. 陶瓦屋面

III.Metal roof III. 金属屋面

II. Terracotta roof II. 陶瓦屋面

■ Features for installation on terracotta roof

■ 陶瓦屋面组件安装特点

- Hooks installed under the terracotta, to ensure roof integrity.
- 采用瓦下挂钩系统更好的保证瓦屋面的整体性。
- Fixed on bottom plate, simple and easy.
- 组件+固定底板令安装方便易行。



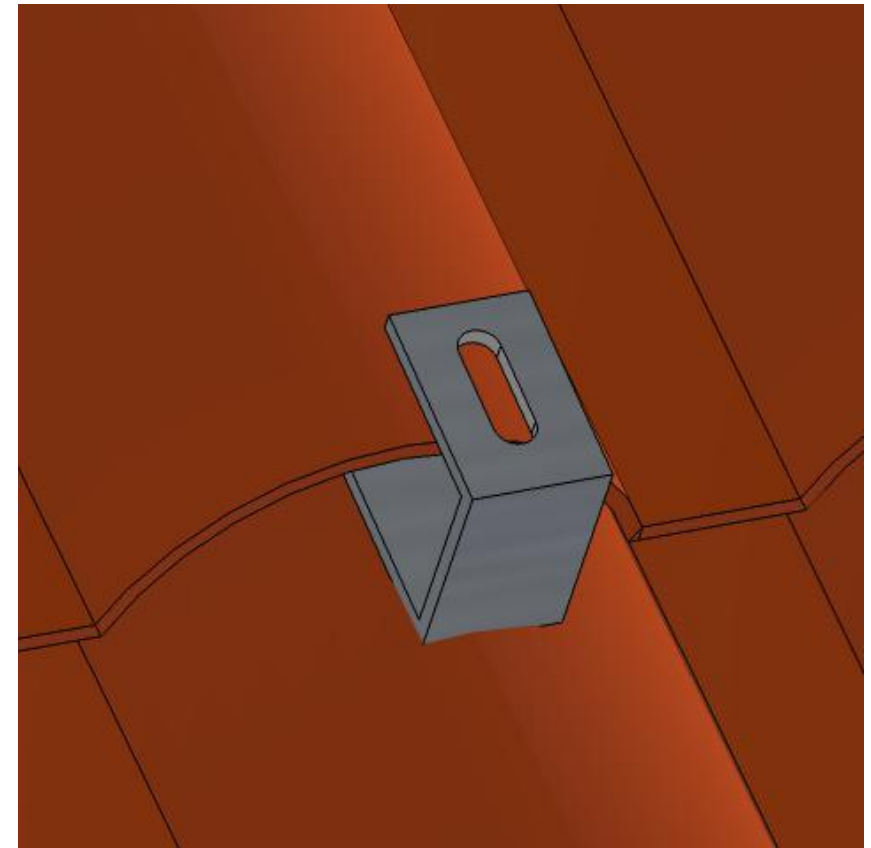
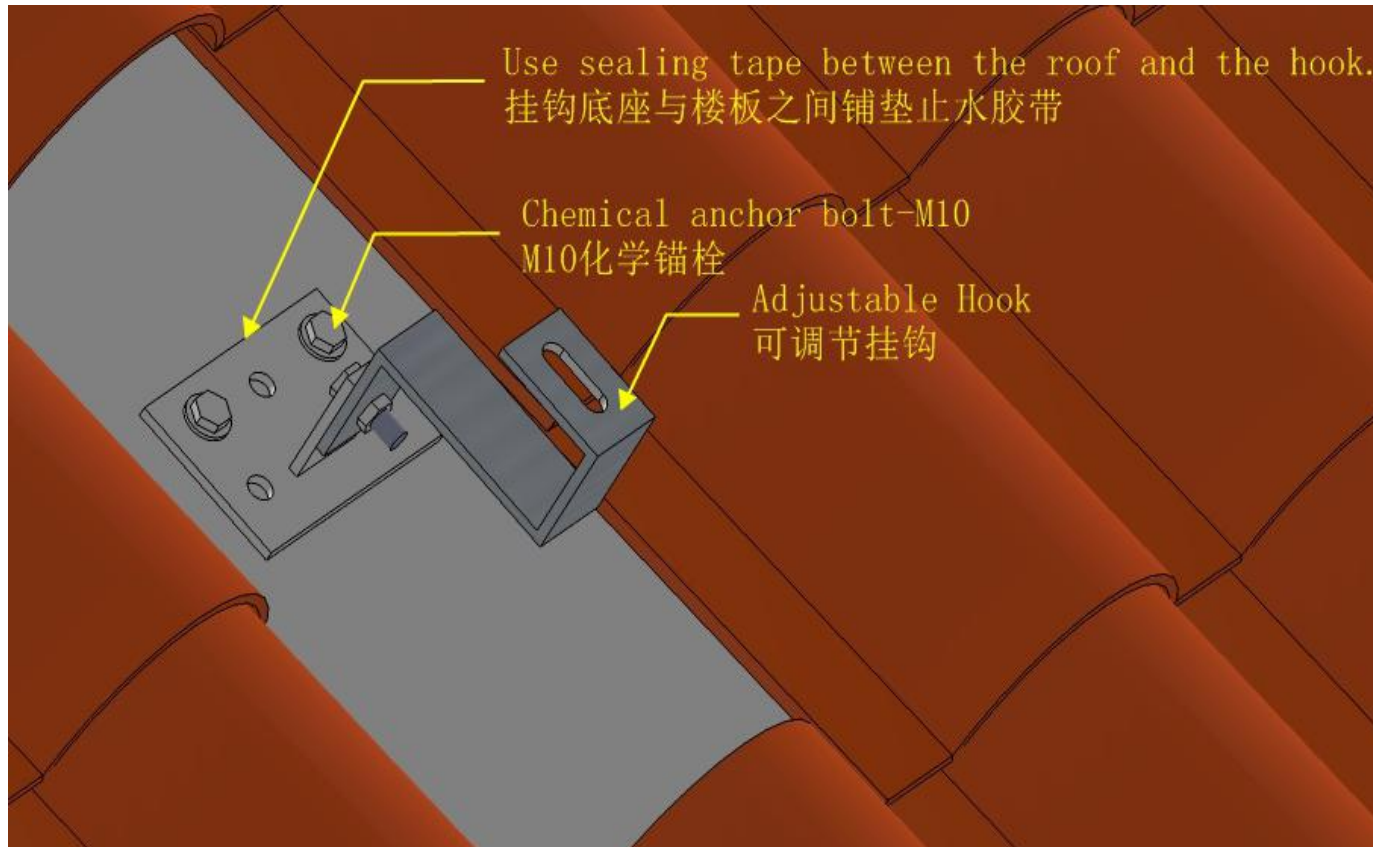
II. Terracotta roof II. 陶瓦屋面

■ Installation Method on terracotta roof

■ 陶瓦屋面组件安装方法

- Install adjustable hooks
- 可调节挂钩安装

- Restore tiles
- 瓦片恢复



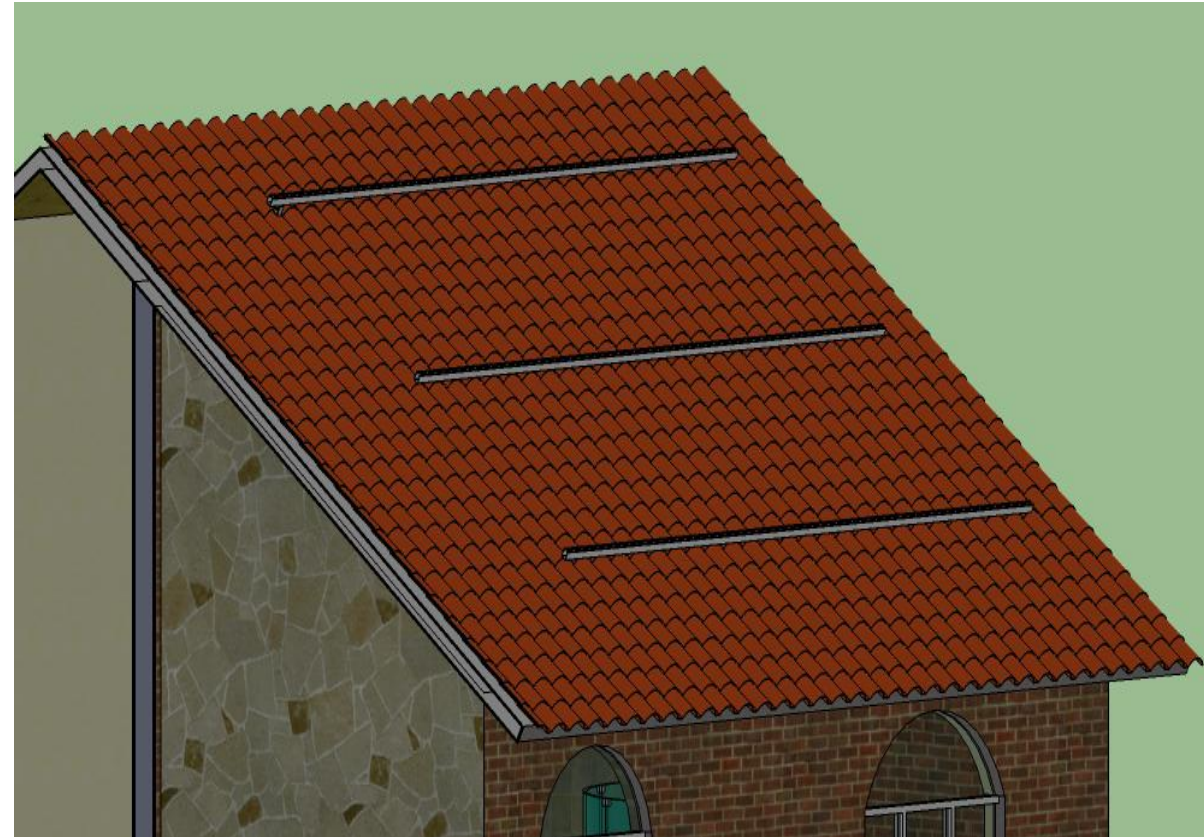
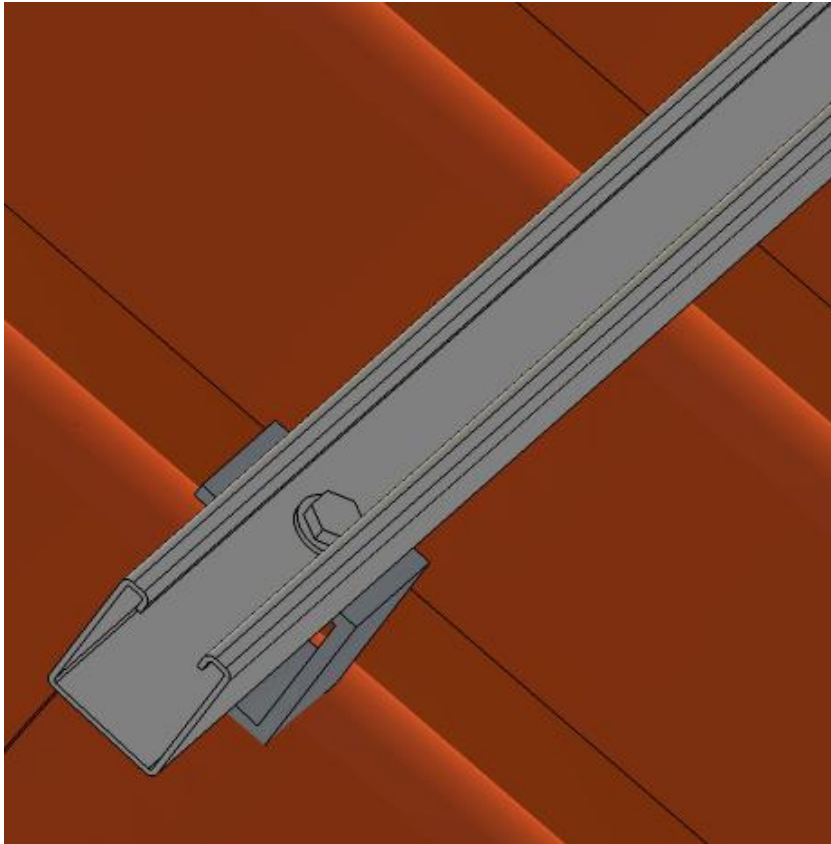
II. Terracotta roof II. 陶瓦屋面

■ Installation Method on terracotta roof

■ 陶瓦屋面组件安装方法

- Install purlins
- 檩条固定

- Purlin overall arrangement
- 整体檩条布置

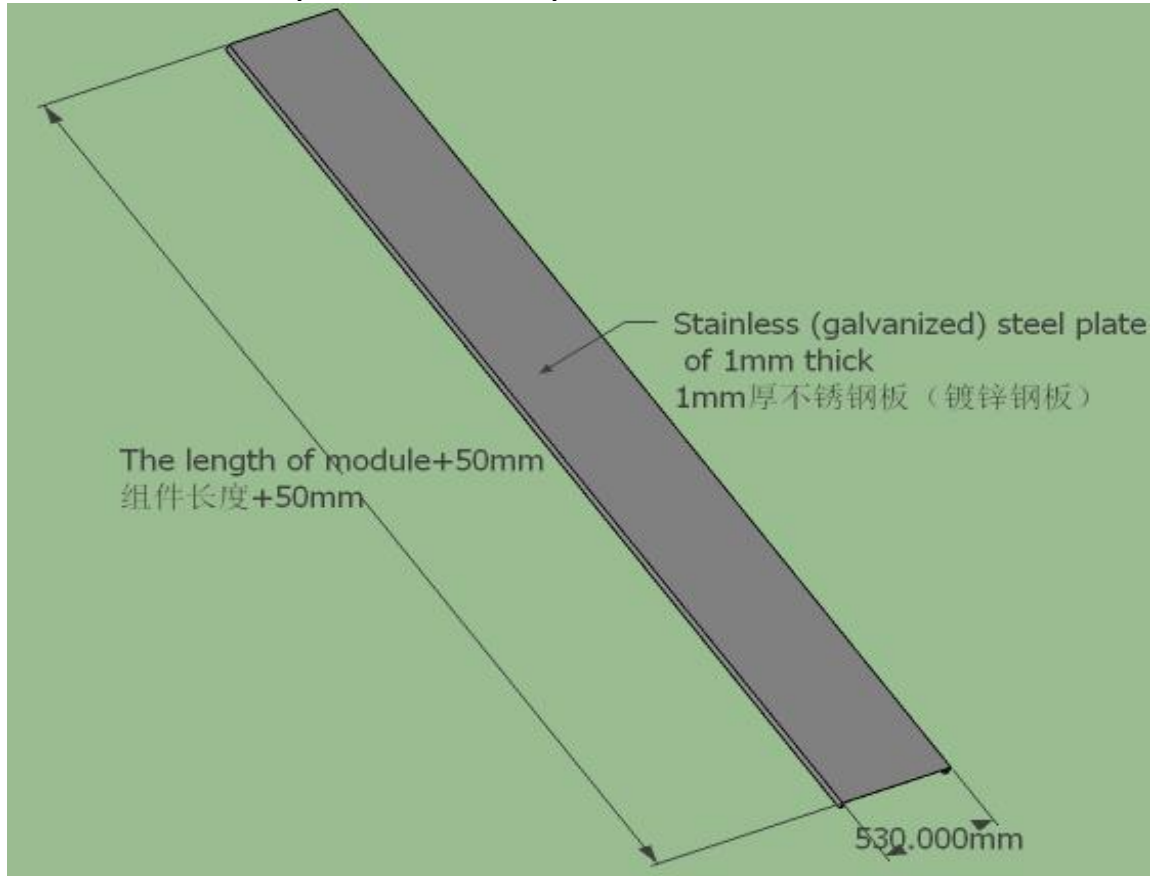


II. Terracotta roof II. 陶瓦屋面

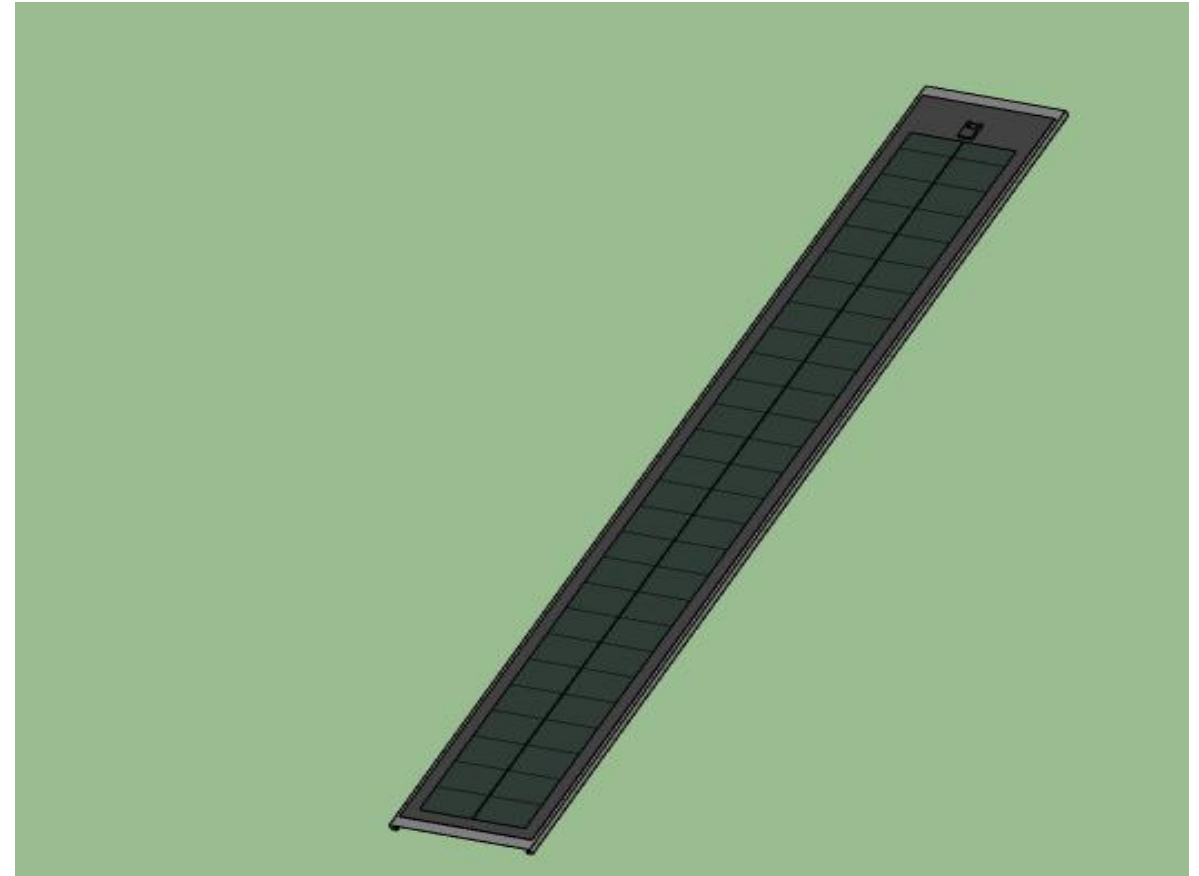
■ Installation Method on terracotta roof

■ 陶瓦屋面组件安装方法

- 固定底板制作
- Prepare bottom plate



- 组件与底板粘贴
- Adhere PV modules



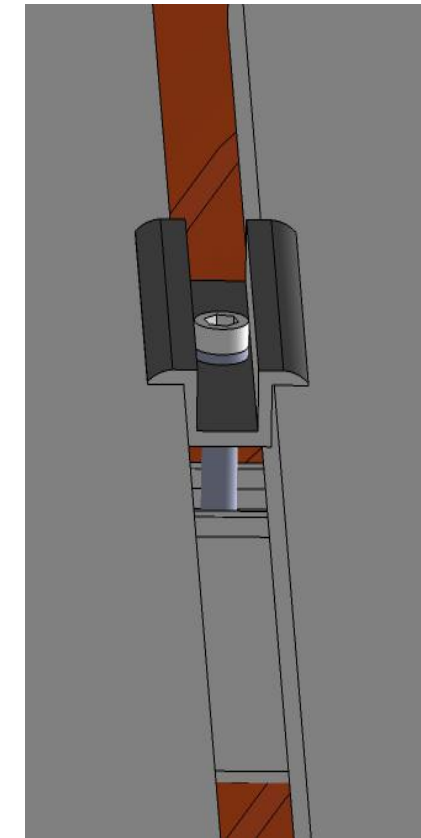
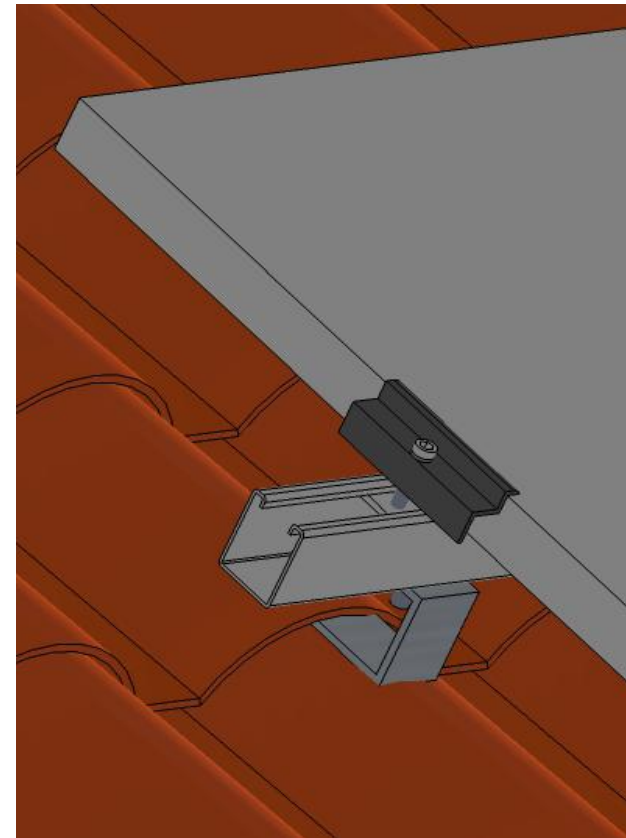
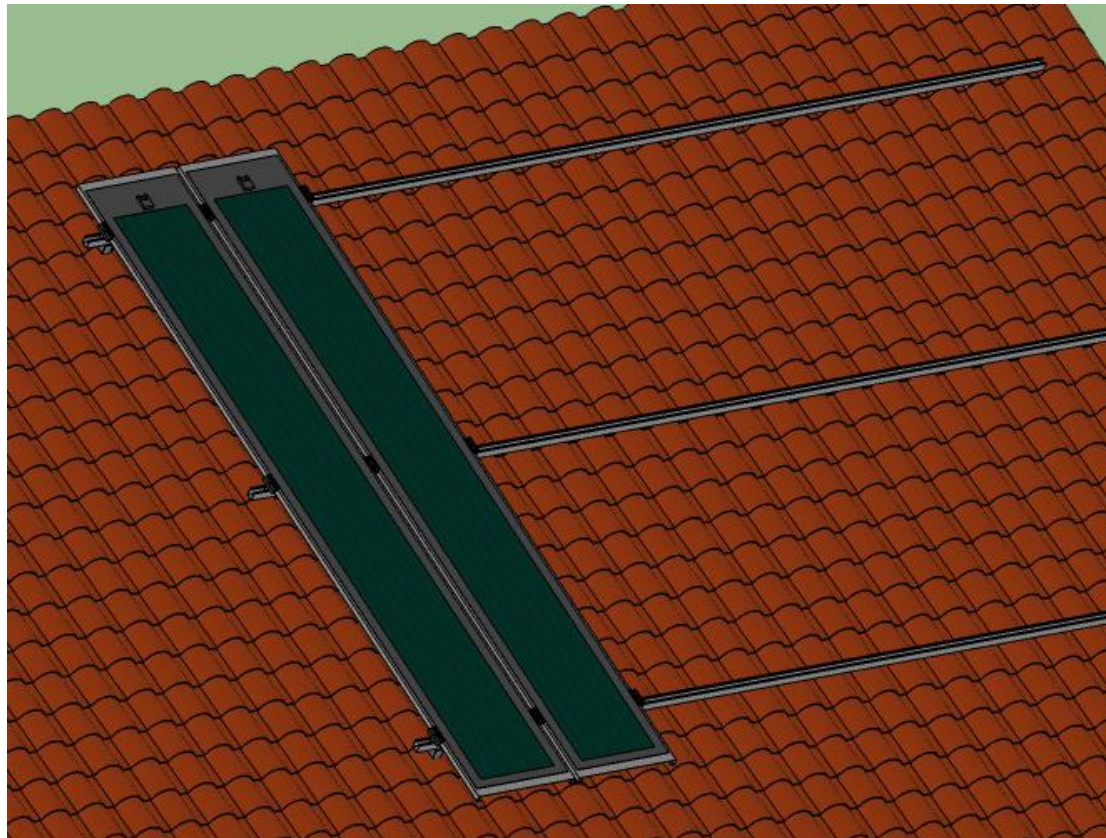
II. Terracotta roof II. 陶瓦屋面

■ Installation Method on terracotta roof

■ 陶瓦屋面组件安装方法

- Install bottom plates with adhered modules
- 底板（组件）安装

- Fasten bottom plate with clamps
- 底板压块固定



II. Terracotta roof II. 陶瓦屋面

- Installation completed
- 组件安装完成



CONTENTS

I.Asphalt shingle roof I. 沥青瓦屋面

II.Terracotta roof II. 陶瓦屋面

III.Metal roof III. 金属屋面

III. Metal roof III. 金属屋面

■ Features for installation on metal roof

■ 金属屋面组件安装特点

- Light weight, not produce excessive load
- 组件重量轻，不会产生过大荷载
- Pasted directly, easy and convenient .
- 可以直接粘贴，安装方便。
- Bracket installation , not destroy roof structure
- 支架安装方式，不破坏屋面结构



III. Metal roof III. 金属屋面

■ Installation method on terracotta roof

■ 金属屋面组件安装方法

➤ Direct pasting 直接粘贴法安装



III. Metal roof III. 金属屋面

■ Installation method on terracotta roof

■ 金属屋面组件安装方法

➤ Bracket Mounting 支架固定法安装



谢谢！
Thanks!

Ms Susan LIU General Manager

SINOLTECH ENERGY LIMITED
SHANDONG SINOLTECH INTERNATIONAL CO., LTD
SINOLTECH HOLDING GROUP LTD

TEL: +86-15318807707 / +86-18678875144,

FAX: 0086-531-88894033

Factory address: Bazi Industrial park, Hehua Road, Jinan, China

Sales office address: No.555 Jingde Road, Licheng district, Jinan, CHINA

Email: Susan@sinoltech.com / Sinoltech@hotmail.com

SKYPE: Sinoltech

Website: www.sinoltech.com



WWW.SINOLTECH.COM